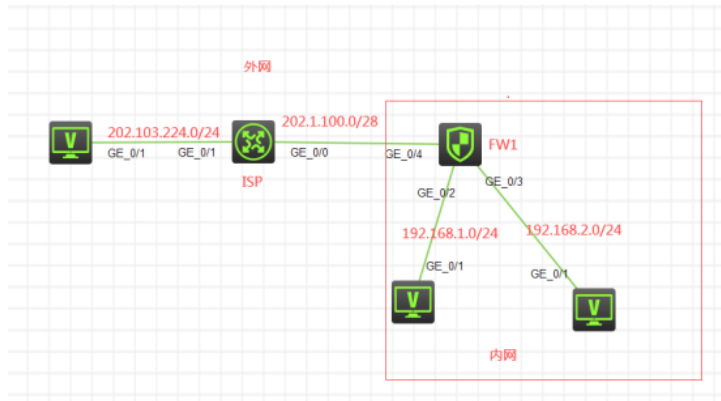


组网及说明



组网说明:

本实验采用H3C HCL模拟器的F1060防火墙来模拟basic NAT典型组网配置实验，内网和外网均已在网络拓扑图中有了明确的标识，FW1作为内网的出口设备，不仅要保障内网的安全，同时也需要提供内网访问外网的地址转换服务。内网申请到了202.1.100.2-202.1.100.5的公网地址，其中202.1.100.2用于与外网互联使用，202.1.100.3-202.1.100.5为内网转换为外网的地址。

配置步骤

- 1、按照网络拓扑图正确配置IP地址
- 2、FW1配置NAT地址转换，并配置默认路由指向外网

配置关键点

特别说明:

以下仅提供完整的配置过程及basic NAT关键配置点，详细的测试方法，过程及测试结果请见附件！

ISP:

```
sys
System View: return to User View with Ctrl+Z.
[H3C]sysname ISP
[ISP]int gi 0/1
[ISP-GigabitEthernet0/1]ip address 202.103.224.254 24
[ISP-GigabitEthernet0/1]quit
[ISP]int gi 0/0
[ISP-GigabitEthernet0/0]des
[ISP-GigabitEthernet0/0]ip address 202.1.100.1 28
[ISP-GigabitEthernet0/0]quit
[ISP]
```

FW1:

```
sys
System View: return to User View with Ctrl+Z.
[H3C]sysname FW1
[FW1]acl basic 2001
[FW1-acl-ipv4-basic-2001]rule 0 permit source any
[FW1-acl-ipv4-basic-2001]quit
[FW1]
[FW1]zone-pair security source trust destination untrust
[FW1-zone-pair-security-Trust-Untrust]packet-filter 2001
[FW1-zone-pair-security-Trust-Untrust]quit
[FW1]
[FW1]zone-pair security source untrust destination trust
[FW1-zone-pair-security-Untrust-Trust]packet-filter 2001
[FW1-zone-pair-security-Untrust-Trust]quit
[FW1]
```

```
[FW1]zone-pair security source trust destination local
[FW1-zone-pair-security-Trust-Local]packet-filter 2001
[FW1-zone-pair-security-Trust-Local]quit
[FW1]
[FW1]zone-pair security source local destination trust
[FW1-zone-pair-security-Local-Trust]packet-filter 2001
[FW1-zone-pair-security-Local-Trust]quit
[FW1]
[FW1]zone-pair security source untrust destination local
[FW1-zone-pair-security-Untrust-Local]packet-filter 2001
[FW1-zone-pair-security-Untrust-Local]quit
[FW1]
[FW1]zone-pair security source local destination untrust
[FW1-zone-pair-security-Local-Untrust]packet-filter 2001
[FW1-zone-pair-security-Local-Untrust]quit
[FW1]int gi 1/0/2
[FW1-GigabitEthernet1/0/2]ip address 192.168.1.1 24
[FW1-GigabitEthernet1/0/2]quit
[FW1]int gi 1/0/3
[FW1-GigabitEthernet1/0/3]ip address 192.168.2.1 24
[FW1-GigabitEthernet1/0/3]quit
[FW1]int gi 1/0/4
[FW1-GigabitEthernet1/0/4]des
[FW1-GigabitEthernet1/0/4]ip address 202.1.100.2 28
[FW1-GigabitEthernet1/0/4]quit
[FW1]ip route-static 0.0.0.0 0.0.0.0 202.1.100.1
[FW1]security-zone name Trust
[FW1-security-zone-Trust]import interface GigabitEthernet 1/0/2
[FW1-security-zone-Trust]import interface GigabitEthernet 1/0/3
[FW1-security-zone-Trust]quit
[FW1]security-zone name Untrust
[FW1-security-zone-Untrust]import interface GigabitEthernet 1/0/4
[FW1-security-zone-Untrust]quit
```

FW1 basic NAT关键配置点:

```
[FW1]acl basic 2000
[FW1-acl-ipv4-basic-2000]rule 0 permit source any
[FW1-acl-ipv4-basic-2000]quit
[FW1]nat address-group 1
[FW1-address-group-1]address 202.1.100.3 202.1.100.5
[FW1-address-group-1]quit
[FW1]int gi 1/0/4
[FW1-GigabitEthernet1/0/4]nat outbound 2000 address-group 1 no-pat
[FW1-GigabitEthernet1/0/4]quit
```

附件下载: F1060 basic NAT典型组网配置实验.rar