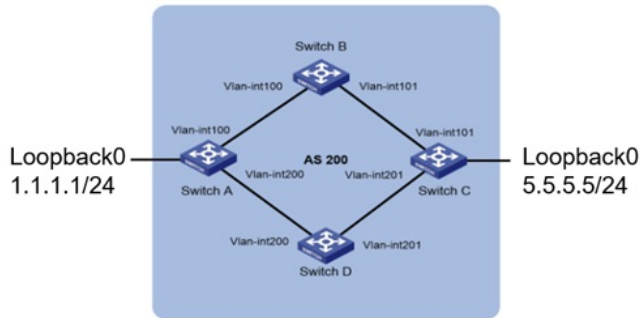


Network Topology

Network requirements

As shown in Figure, configure OSPF as the IGP in AS 200.

- Establish two IBGP connections between Switch A and Switch C. When both paths operate correctly, Switch C uses the path Switch A<—>Switch B<—>Switch C to exchange packets with network 1.1.1.0/24.
- Configure BFD over the path. When the path fails, BFD can quickly detect the failure and notify it to BGP. Then, the path Switch A<—>Switch D<—>Switch C takes effect immediately.



Device	interface	IP	Device	interface	IP	
Switch A	Vlan-int100	3.0.1.1/24	Switch C	Vlan-int101	3.0.2.2/24	
	Vlan-int200	2.0.1.1/24			Vlan-int201	2.0.2.2/24
	Loopback0	1.1.1.1/24			Loopback0	5.5.5.5/24
Switch B	Vlan-int100	3.0.1.2/24	Switch D	Vlan-int200	2.0.1.2/24	
	Vlan-int101	3.0.2.1/24			Vlan-int201	2.0.2.1/24

Configuration Steps

Configuration procedure

1. Swithc A

```
#
ospf 1
 area 0.0.0.0
  network 2.0.1.0 0.0.0.255
  network 3.0.1.0 0.0.0.255
#
acl number 2000
 rule 0 permit source 1.1.1.0 0.0.0.255
#
route-policy apply_med_100 permit node 10
 if-match ip address acl 2000
 apply cost 100
#
route-policy apply_med_50 permit node 10
 if-match ip address acl 2000
 apply cost 50
#
#
bgp 200
 peer 2.0.2.2 as-number 200
 peer 3.0.2.2 as-number 200
 peer 3.0.2.2 bfd
#
address-family ipv4 unicast
 network 1.1.1.0 255.255.255.0
 peer 2.0.2.2 enable
 peer 2.0.2.2 route-policy apply_med_100 export
 peer 3.0.2.2 enable
 peer 3.0.2.2 route-policy apply_med_50 export
#
```

2. Swithc C

```
#
ospf 1
 area 0.0.0.0
  network 2.0.2.0 0.0.0.255
  network 3.0.2.0 0.0.0.255
#
acl number 2000
 rule 0 permit source 5.5.5.0 0.0.0.255
#
route-policy apply_med_100 permit node 10
 if-match ip address acl 2000
 apply cost 100
#
route-policy apply_med_50 permit node 10
 if-match ip address acl 2000
 apply cost 50
#
#
bgp 200
 peer 2.0.1.1 as-number 200
 peer 3.0.1.1 as-number 200
 peer 3.0.1.1 bfd
#
address-family ipv4 unicast
 network 5.5.5.0 255.255.255.0
```

```
peer 2.0.1.1 enable
peer 2.0.1.1 route-policy apply_med_100 export
peer 3.0.1.1 enable
peer 3.0.1.1 route-policy apply_med_50 export
```

```
#
```

3. Switc B