

### S6500交换机上isolate-user-vlan的配置

#### 一、组网需求:

- 1) Switch A交换机下接Switch B、Switch C交换机，要求从Switch A上看，Switch B、Switch C发出的报文都是不带VLAN Tag的，无需考虑下层交换机的VLAN配置。
- 2) Switch B上的VLAN 5为isolate-user-VLAN，包含上行端口Ethernet1/0/1和两个Secondary VLAN：VLAN 2和VLAN 3，VLAN 3包含端口Ethernet1/0/2，VLAN 2包含端口Ethernet1/0/5。
- 3) Switch C上的VLAN 6为isolate-user-VLAN，包含上行端口Ethernet1/0/1和两个Secondary VLAN：VLAN 3和VLAN 4，VLAN 3包含端口Ethernet1/0/3，VLAN 4包含端口Ethernet1/0/4。

#### 二、组网图:

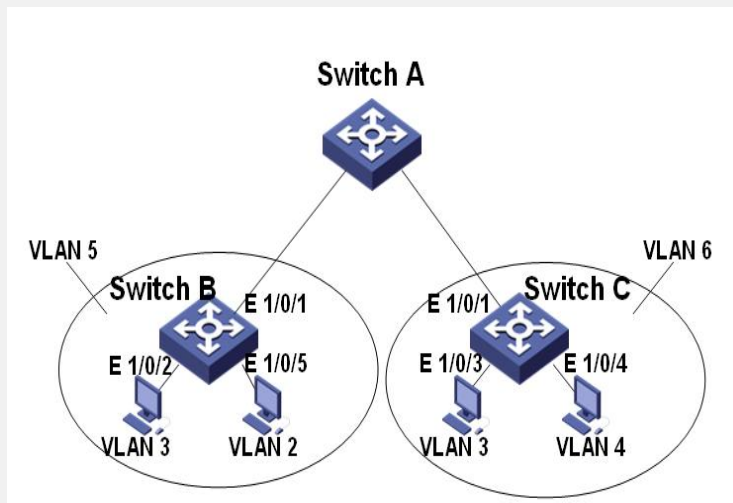


图1. 组网图

#### 三、配置步骤:

##### 1.配置Switch B

- 1) 配置isolate-user-VLAN。  

```
<SwitchB> system-view  
[SwitchB] vlan 5  
[SwitchB-vlan5] isolate-user-vlan enable
```
- 2) 配置Secondary VLAN。  

```
[SwitchB-vlan5] quit  
[SwitchB] vlan 3  
[SwitchB-vlan3] quit  
[SwitchB] vlan 2
```
- 3) 将端口Ethernet1/0/2添加到isolate-user-VLAN和Secondary VLAN中，并配置untag操作  

```
[SwitchB-vlan2] quit  
[SwitchB] interface Ethernet 1/0/2  
[SwitchB-Ethernet1/0/2] port link-type hybrid  
[SwitchB-Ethernet1/0/2] port hybrid vlan 3 untagged  
[SwitchB-Ethernet1/0/2] port hybrid vlan 5 untagged  
[SwitchB-Ethernet1/0/2] port hybrid pvid vlan 3
```
- 4) 将端口Ethernet1/0/5添加到isolate-user-VLAN和Secondary VLAN中，并配置untag操作  

```
[SwitchB-Ethernet1/0/2] quit  
[SwitchB] interface Ethernet 1/0/5  
[SwitchB-Ethernet1/0/5] port link-type hybrid  
[SwitchB-Ethernet1/0/5] port hybrid vlan 2 untagged  
[SwitchB-Ethernet1/0/5] port hybrid vlan 5 untagged  
[SwitchB-Ethernet1/0/5] port hybrid pvid vlan 2
```
- 5) 将端口Ethernet1/0/1添加到isolate-user-VLAN和Secondary VLAN中，并配置untag

操作

```
[SwitchB-Ethernet1/0/5] quit
[SwitchB] interface Ethernet 1/0/1
[SwitchB-Ethernet1/0/1] port link-type hybrid
[SwitchB-Ethernet1/0/1] port hybrid vlan 2 untagged
[SwitchB-Ethernet1/0/1] port hybrid vlan 3 untagged
[SwitchB-Ethernet1/0/1] port hybrid vlan 5 untagged
[SwitchB-Ethernet1/0/1] port hybrid pvid vlan 5
6) 配置isolate-user-VLAN和Secondary VLAN间的映射关系。
[SwitchB-Ethernet1/0/1] quit
[SwitchB] isolate-user-vlan 5 secondary 2 to 3
```

## 2.配置Switch C

```
1) 配置isolate-user-VLAN。
<SwitchC> system-view
[SwitchC] vlan 6
[SwitchC-vlan6] isolate-user-vlan enable
2) 配置Secondary VLAN。
[SwitchC-vlan6] quit
[SwitchC] vlan 3
[SwitchC-vlan3] vlan 4
3) 将端口Ethernet1/0/3添加到isolate-user-VLAN和Secondary VLAN中，并配置untag
操作
[SwitchC-vlan4] quit
[SwitchC] interface Ethernet 1/0/3
[SwitchC-Ethernet1/0/3] port link-type hybrid
[SwitchC-Ethernet1/0/3] port hybrid vlan 3 untagged
[SwitchC-Ethernet1/0/3] port hybrid vlan 6 untagged
[SwitchC-Ethernet1/0/3] port hybrid pvid vlan 3
4) 将端口Ethernet1/0/4添加到isolate-user-VLAN和Secondary VLAN中，并配置untag
操作
[SwitchC-Ethernet1/0/3] quit
[SwitchC] interface Ethernet1/0/4
[SwitchC-Ethernet1/0/4] port link-type hybrid
[SwitchC-Ethernet1/0/4] port hybrid vlan 4 untagged
[SwitchC-Ethernet1/0/4] port hybrid vlan 6 untagged
[SwitchC-Ethernet1/0/4] port hybrid pvid vlan 4
5) 将端口Ethernet1/0/1添加到isolate-user-VLAN和Secondary VLAN中，并配置untag
操作
[SwitchC-Ethernet1/0/4] quit
[SwitchC] interface Ethernet 1/0/1
[SwitchC-Ethernet1/0/1] port link-type hybrid
[SwitchC-Ethernet1/0/1] port hybrid vlan 3 untagged
[SwitchC-Ethernet1/0/1] port hybrid vlan 4 untagged
[SwitchC-Ethernet1/0/1] port hybrid vlan 6 untagged
[SwitchC-Ethernet1/0/1] port hybrid pvid vlan 6
6) 配置isolate-user-VLAN和Secondary VLAN间的映射关系。
[SwitchC-Ethernet1/0/1] quit
[SwitchC] isolate-user-vlan 6 secondary 3 to 4
```

经过上述配置，Switch A可以接收到Switch B和Switch C发出的报文，而且全部是不携带VLAN Tag的报文。Switch B和Switch C各自配置的VLAN 3之间由于在到达A处理时已经去除了VLAN Tag，所以不能够通信，这就使下层交换机拥有仅本地有效的VLAN配置，从而达到了节约全局VLAN资源的目的。