

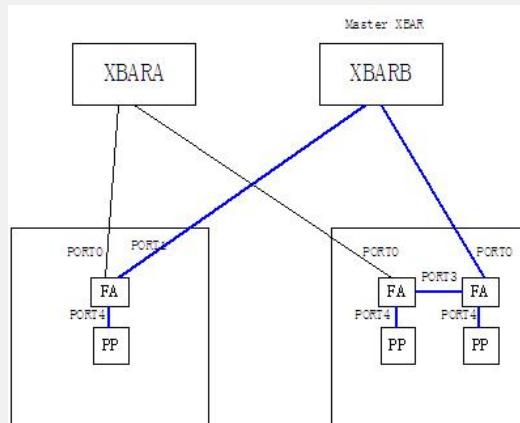
知 Load-single Working Mode of S9500 Crossbar

刘志伟 2007-01-22 发表

When the board has only one PP, all the traffic flows out from the port connected to the primary MPU. When the primary and secondary MPUs exchange between themselves, the traffic is switched to the FA port connected to another MPU.

When the board has two PPs, the FA connected with the primary MPU forwards all the traffic through port 0, and the FA connected with the secondary MPU sends all the traffic to the interface that is connected with the primary MPU through port 3 for forwarding to the primary MPU along the FA. When the primary and secondary MPUs exchange between themselves, the traffic is switched accordingly. Broadcast and Multicast packets are forwarded to port 0, 3 and 4 at the same time.

The blue line shows the data from the service data channel



When the primary and secondary MPUs exchanged between themselves, the service data is changed into:

