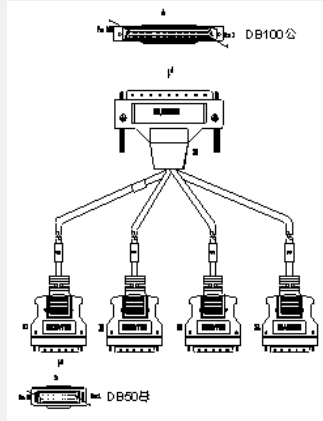


2SA/4SA Modules of H3C Series Routers

I. Introduction

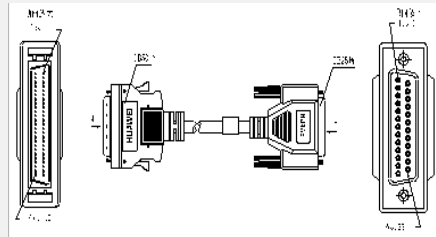
2SA/4SA is the short of 2/4-port high synchronous/asynchronous module, in which S A (Synchronous/Asynchronous) is the abbreviation of synchronous/asynchronous serial port.

II. Appearance



re1 2SA module appearance

Figur



re2 4SA module appearance

Figur

III. Module Interface Cable

1. 2SA Interface Cable

Each interface of 2SA module is 50-core connector.

You should confirm the line features before connecting 2SA module. There are four kinds of cables for selection:

- I V.24 (EIA/TIA-232) DTE cable
- I V.24 (EIA/TIA-232) DCE cable
- I V.35 DTE cable
- I V.35 DCE cable

One end of these four cables attached to router is DB-50 connector; the other varies among different network sides.

- I V.24 (EIA/TIA-232) DTE cable

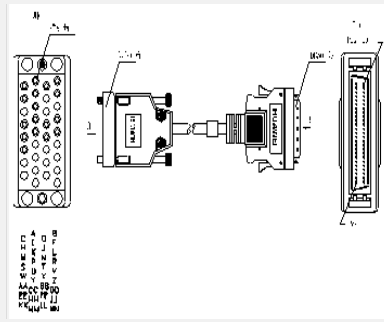


Figure3 V.24

(EIA/TIA-232) DTE cable

I V.24 (EIA/TIA-232) DCE cable

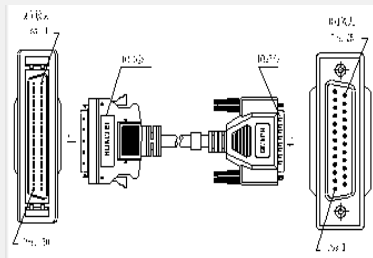
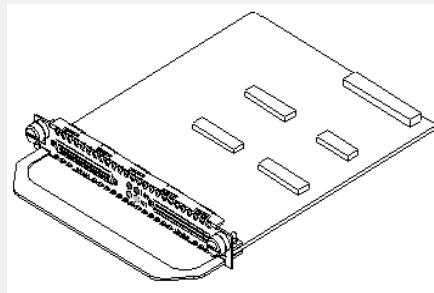


Figure4 V.24

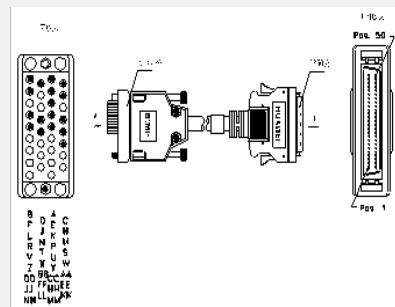
(EIA/TIA-232) DCE cable

I V.35 DTE cable



V.35 DTE cable

I V.35 DCE cable



V.35 DCE cable

2. 4SA Interface Cable

4SA module provides users with one "one to four" transit cable (4SA transit cable). One end of this cable is DB-100 connector used to connect the router 4SA module, the other is DB-50 (female) connector used to connect synchronous/asynchronous serial port cable. Like 2SA module, there are four kinds of synchronous/asynchronous serial port cables for selection:

I V.24 (EIA/TIA-232) DTE cable

I V.24 (EIA/TIA-232) DCE cable

I V.35 DTE cable

I V.35 DCE cable

See "2SA interface cable" for electrical features of four kinds of synchronous/asynchronous serial port cables.

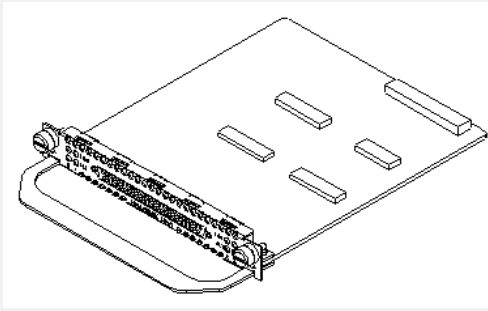


Figure5 4SA transit cable