

8LSA Module of H3C Series Routers

I. Module Introduction

8LSA (only VRP 1.74 support) is the short of 8-port low synchronous/asynchronous serial port module, in which LSA is the abbreviation of low synchronous/asynchronous serial port.

LSA module is primarily used to receive/send and process low synchronous/asynchronous data flow and supports two operational modes: synchronous and asynchronous.

LSA module supports different electrical signal standards and baud rates under different operational modes (synchronous or asynchronous). In application, you should select different cables according to the actual circumstances. The maximum transmission distance of signal and the baud rate are also associated with the selected cables.

II. Module Appearance

8LSA module appearance is shown as follows:

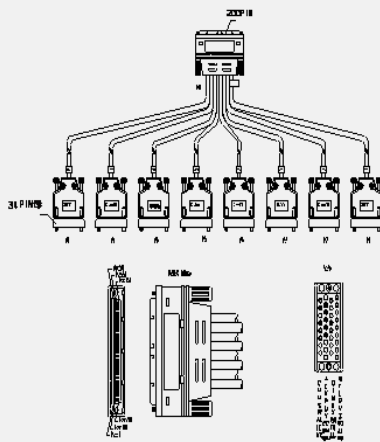


Figure1 8LSA module appearance

III. Interface Attribute

Table1

8LSA module interface attributes

Attribute	Description		
	Synchronous	V.35	Asynchronous
Connector type	200PIN		
Connector number	1		
Interface standard & operational mode	V.24 DTE、DCE	V.35 DTE、DCE	EIA/TIA-232
Minimum baud rate (bps)	1200	1200	300
Maximum baud rate (bps)	64k	128k	115.2k
Cable type	8LSA (V.24 DCE) cable 8LSA (V.24 DTE) cable 8LSA (V.35 DCE) cable 8LSA (V.35 DTE) cable		
Support service	DDN leased line Terminal access service Backup		Modem dial-in backup Asynchronous leased line Dumb terminal access
Support protocol	PPP MP LAPB X.25 HDLC SDLC Frame Relay		PPP SLIP MP

IV. Module Interface Cable

8LSA module interface employs 200-core socket.

You should confirm the line features before connecting 8LSA module. There are four

kinds of cables for selection:

- I 8LSA (V.24 DCE) cable
- I 8LSA (V.24 DTE) cable
- I 8LSA (V.35 DCE) cable
- I 8LSA (V.35 DTE) cable

One end of these four cables is attached to the 200PIN interface of 8LSA module; the other varies by different network sides.

8LSA (V.24 DCE) Cable

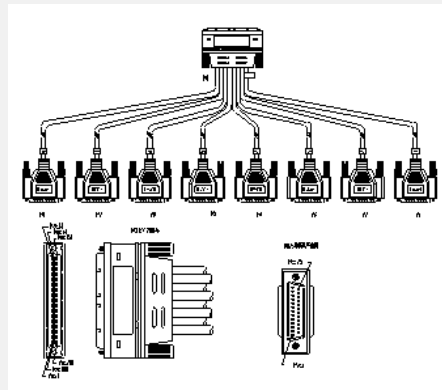


Figure2 8LSA (V.24 DCE) Cable

8LSA (V.24 DTE) Cable

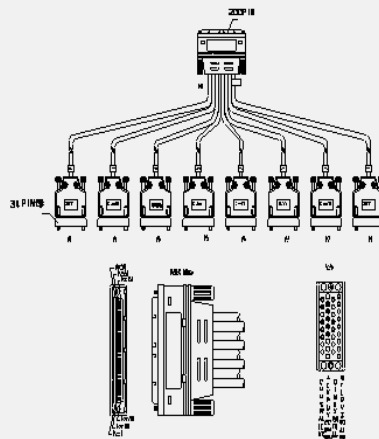


Figure3 8LSA (V.24 DTE) Cable

8LSA (V.35 DCE) Cable

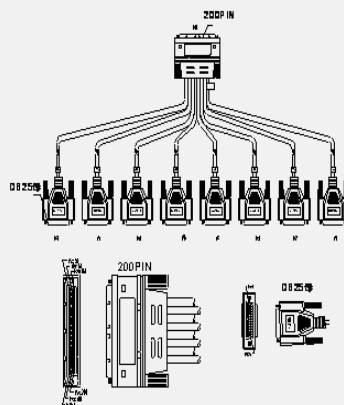


Figure4 8LSA (V.35 DCE) Cable

8LSA (V.35 DTE) Cable

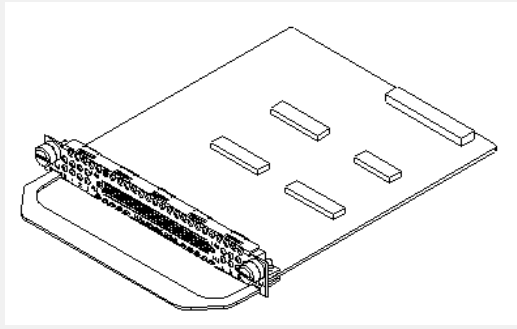


Figure5 8LSA (V.35 DTE) Cable