

8AS/16AS Module of H3C Series Routers

I. Module Introduction

8AS/16AS is the short of 8/16-port asynchronous serial port module, in which AS is the abbreviation of asynchronous serial port. AS module is primarily used to receive/send and process asynchronous serial port data flow. Quidway R2600/3600 series modularized router supports two models of AS modules: 8AS and 16AS.

The following presents AS module features:

1 The rate of each asynchronous serial port is up to 115.2kbps and can support terminal access service and asynchronous leased line. Additionally, asynchronous serial port can not only be used as the dial-in access server of small and medium IPS, but also interconnect 8 (8AS) or 16 (16AS) LAN via asynchronous dial-in line. 8AS module interface cable is a "1 to 8" transmitting cable. One end of DB-68 is attached to 8AS module. One end of DB-9/DB-25 or RJ-45 is attached to the network. 16 AS module interface cable is a "1 to 16" transmitting cable. One end of 200PIN is attached to 16AS module. One end of DB-9/DB-25 or RJ-45 is attached to the network.

II. Module Appearance

1、 8AS Module Appearance

8AS module appearance is shown as follows:

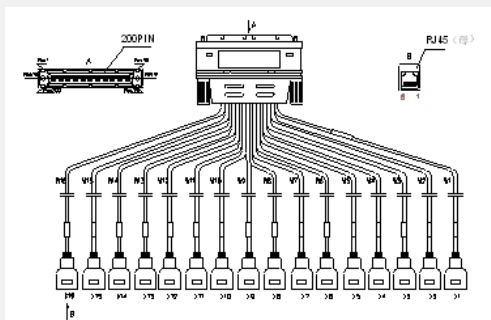


Figure1 8AS module appearance

2、 16AS Module Appearance

16AS module appearance is shown as follows:

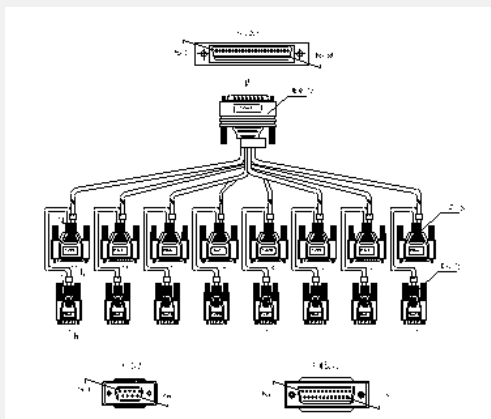


Figure2 16AS module appearance

III. Interface Attributes

The following presents the interface attributes of 8AS and 16AS modules

Table1 8AS/16AS module interface attributes

Attributes	Description	
	8AS module	16AS module
Connector type	68PIN	200PIN
Connector number	1	
Interface standard & operational mode	EIA/TIA-232	

	8AS cable (68PIN->DB-25/DB-9) 8AS cable (68PIN->RJ-45 Telecom) and AUX cable 8AS cable (68PIN->RJ-45 Bank) and dumb terminal-special converter	16AS cable (200PIN->DB-25/DB-9) 16AS cable (200PIN->RJ-45 Telecom) and AUX cable 16AS cable (200PIN->RJ-45 Bank) and dumb terminal-special converter
Minimum baud rate (bps)	300	
Maximum baud rate (bps)	115.2k	
Cable type	Modem dial-in Backup Dump terminal access Asynchronous leased line	
Support service	PPP SLIP MP	

IV. Module Interface Cable

1. 8AS Module Cable

8AS module cable is an 8 asynchronous serial port cable, i.e. 8AS cable, including 8AS cable (68PIN->DB-25/DB-9), 8AS cable (68PIN->RJ-45 Telecom) and 8AS cable (68PIN->RJ-45 Bank). Its end attached to router is 68PIN connector.

I 8AS cable (68PIN->DB-25/DB-9)

The cable appearance is shown as follows:

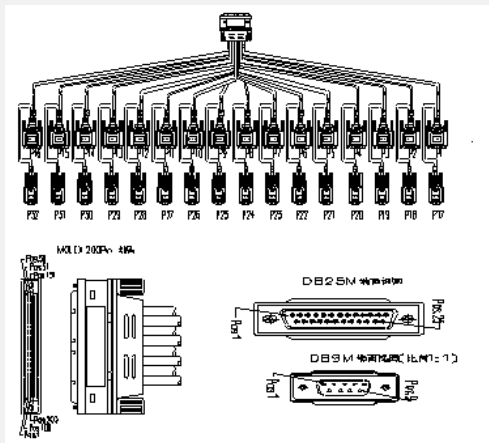


Figure3 8AS cable (68PIN->DB-25/DB-9)

I 8AS cable

(68PIN->RJ-45 Telecom) and 8AS cable (68PIN->RJ-45 Bank)

“Telecom” indicates that this cable is 8AS (RJ-45) cable used by Telecom department. It is a pervasive 8AS (RJ-45) cable. “Bank” represents that this cable is 8AS (RJ-45) cable used by bank system. It is the special cable for dumb terminal access of bank system. The appearances of these two cables are almost identical, shown as follows:

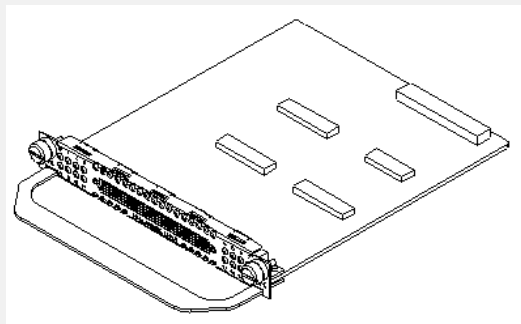


Figure4 8AS cable (68PIN->RJ-45)

2. 16AS Module Interface Cable

16AS module cable is a “1 to 16” transmitting cable, i.e. 16AS cable, including 16AS cable (200PIN->DB-25/DB-9), 16AS cable (200PIN->RJ-45 Telecom) and 16AS cable (200PIN->RJ-45 Bank). Its end attached to router is 200PIN connector.

I 16AS cable (200PIN->DB-25/DB-9)

The cable appearance is shown as follows:

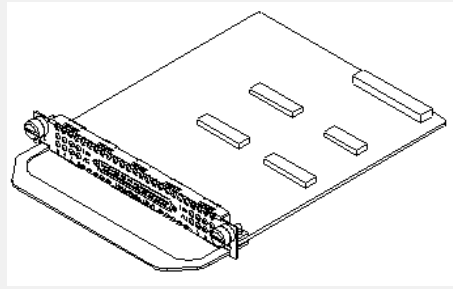


Figure5 16AS cable (200PIN <->DB-25/DB-9)

16AS cable (200PIN<->RJ-45 Telecom) and 16AS cable (200PIN<->RJ-45 Bank)

“Telecom” indicates that this cable is 16AS (RJ-45) cable used by Telecom department. It is a pervasive 16AS (RJ-45) cable. “Bank” represents that this cable is 16AS (RJ-45) cable used by bank system. It is the special cable for dumb terminal access of bank system. The appearances of these two cables are almost identical, shown as follows:

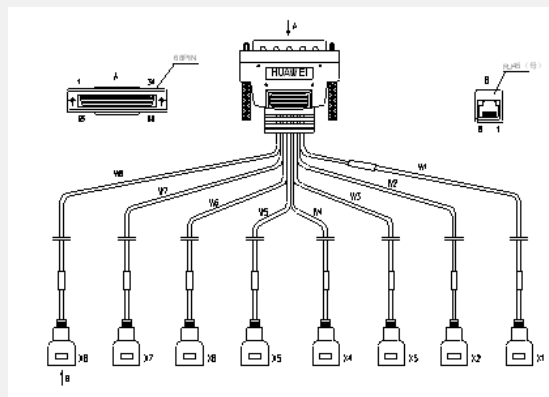


Figure6 16AS cable (200PIN <->RJ-45)